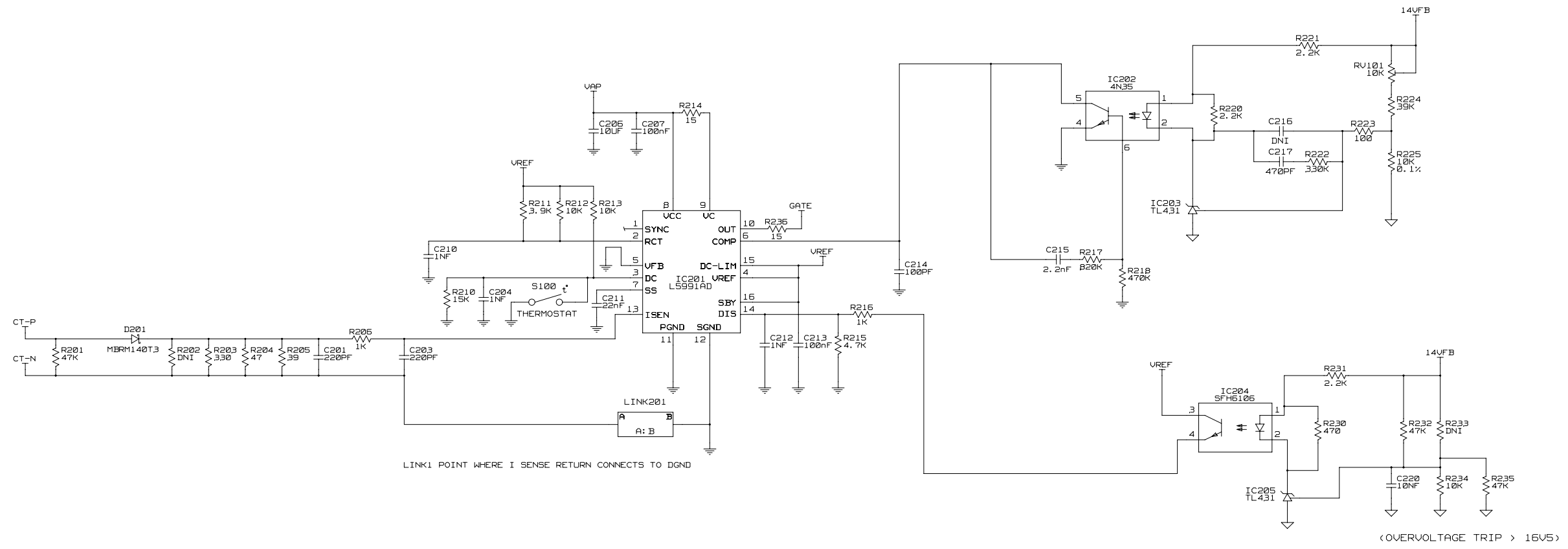
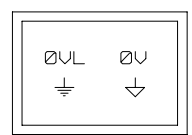


REV/ISS	AMENDMENTS	DRAWN	CHKD	D. O.	APVD	DATE
04A	MINOR LAYOUT CORRECTIONS	TB	SEATON	CK	SEATON	21/02/06
03A	PROTOTYPE	TB	SEATON	CK	SEATON	21/02/06
02A	PROTOTYPE	TB	SEATON	CK	SEATON	21/11/05
01A	PROTOTYPE	TB	SEATON	CK	SEATON	10/08/05

© TAIT ELECTRONICS		A1
TB7100 AC-DC CONVERTER		
IPN: 220-020B3-04	ISSUE: A	VARIANT NUMBER: ?
FILE DATE: Wed Apr 12 08:59:18 2006		
ENGINEER: Seaton	FILE NAME: 220_020B3	SHEET NUMBER: 1 OF 2



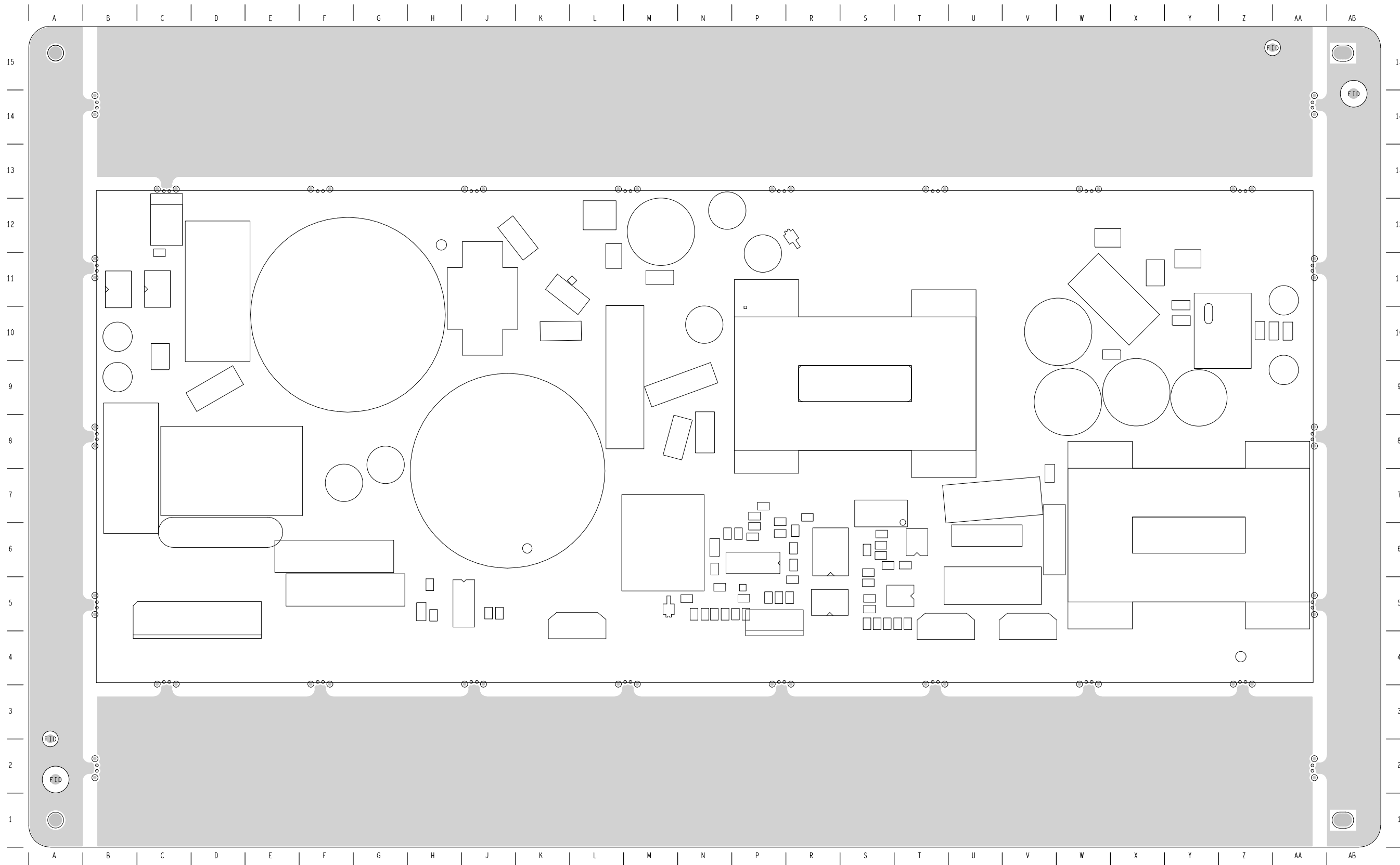
LINK1 POINT WHERE I SENSE RETURN CONNECTS TO DGND



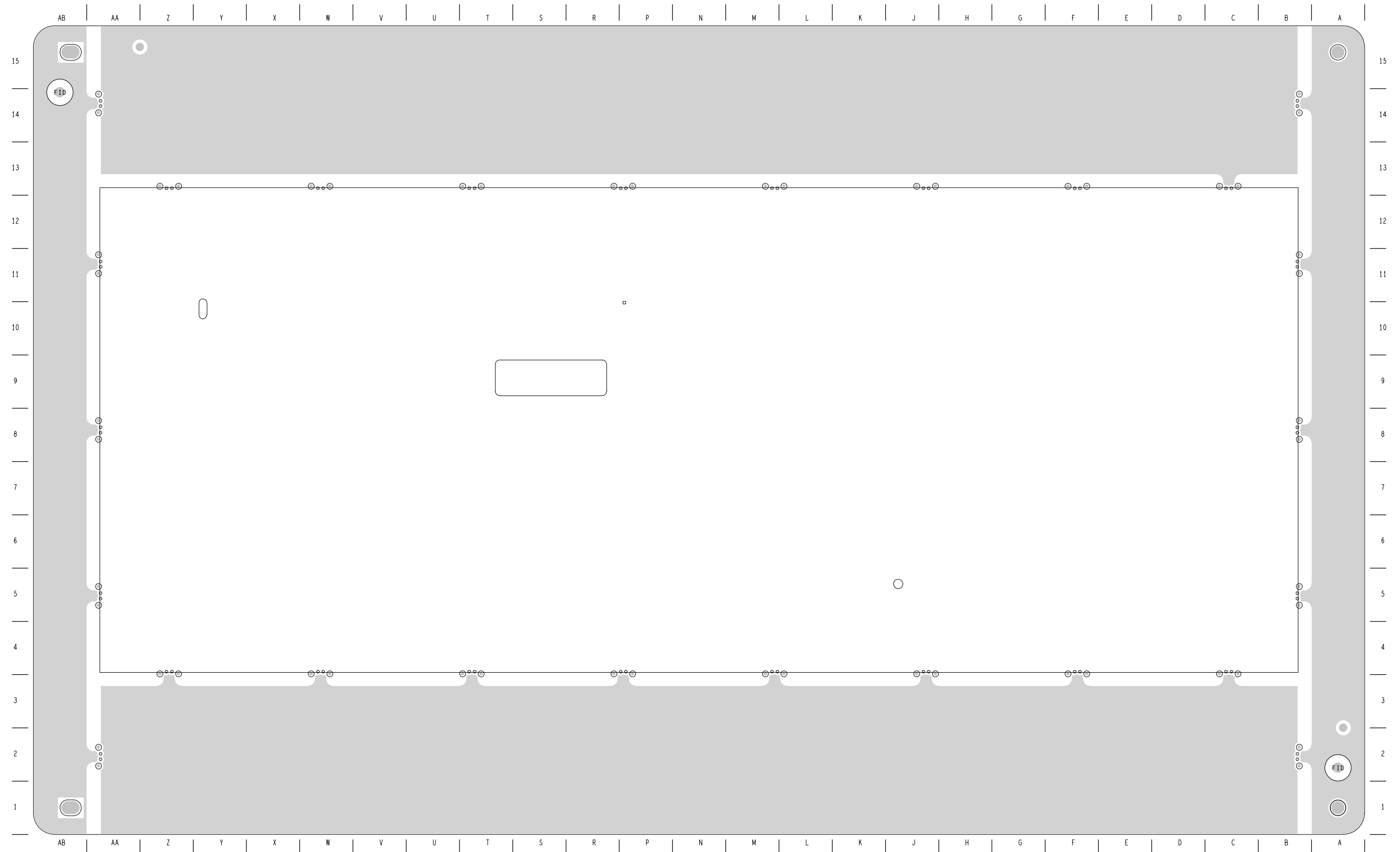
<OVERVOLTAGE TRIP > 16V5

© TAIT ELECTRONICS		A1
TB7100		
AC-DC CONTROL		
IPN:	ISSUE:	VARIANT NUMBER:
220-02083-04	A	?
FILE DATE: Wed Apr 12 08:59:19 2006		
ENGINEER:	FILE NAME:	SHEET NUMBER:
Seaton	220_02083	2 OF 2

REV/ISS	AMENDMENTS	DRAWN	CHKD	D. O.	APVD	DATE
1	2	3	4	5	6	7



TAIT ELECTRONICS	IPN: 220-02083-04	ISS: Iss?	DATE: 5May06	SCALE: NTS
TB7100 ACDC MAIN CONVERTER LAYOUT-PRIMARY-SIDE				



TAIT ELECTRONICS	IPN: 220-02083-04	ISS: Iss?	DATE: 5May06	SCALE: NTS
TB7100 ACDC MAIN CONVERTER LAYOUT-SECONDARY-SIDE				